

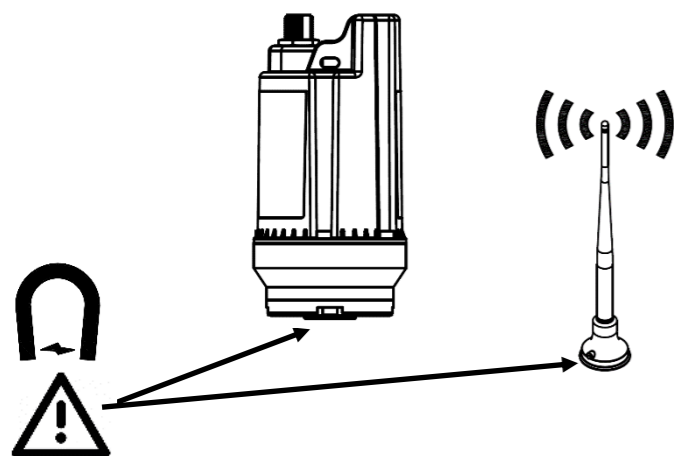


MAN-155-0003-B

**EN** Safety Warnings and Approvals Information.**ES** Advertencias de Seguridad e Información de Aprobaciones.**FR** Informations sur les Avertissements de Sécurité et les Autorisations.

This document applies to the following family of devices:
/ Este document afecta a los siguientes dispositivos:
/ Ce document s'applique à la famille de produit :

- PermaNET SU (SU/L/*/*)

**EN** IMPORTANT SAFETY NOTE:

This equipment uses a high strength magnet and should not be carried by or be placed in the proximity of anyone with a **heart pacemaker**. This magnet can permanently corrupt magnetic storage media such as floppy discs, hard discs and tapes etc... It can also damage TV and PC monitor screens and some watches.

Carefully read the information in this document and on the packaging before using the product. Retain all documentation for future reference.

ES IMPORTANTE ADVERTENCIA DE SEGURIDAD:

Este equipo incorpora un imán de alta potencia y no debe ser llevado ni colocado cerca de alguien con un **marcapasos**. Este imán puede corromper de forma permanente los medios de almacenamiento magnéticos, como disquetes, discos duros y cintas, etc. También puede dañar las pantallas de monitores de TV y PC y algunos relojes.

Lea cuidadosamente la información en este documento y en el embalaje antes de usar el producto. Conserve toda la documentación para futuras referencias.

FR NOTE IMPORTANTE DE SÉCURITÉ :

Cet équipement utilise un aimant à forte prise qui ne doit pas être porté ou placé à proximité d'une personne portant un **stimulateur cardiaque**. Cet aimant peut détériorer de manière permanente les supports de stockage magnétique tels que disque dur, disque externe, cassette ou disquette. Il peut également endommager les écrans de télévision et de moniteur et certaines montres.

Lisez attentivement les informations contenues dans ce document et sur l'emballage avant d'utiliser le produit. Conservez toute la documentation pour référence future.

SAFETY

- Refer to the "Important Safety Note" at the start of this document, regarding Heart Pacemakers.
- **WARNING:** When this equipment is being used, installed, adjusted or serviced this must be undertaken by suitably qualified personnel familiar with the construction and operation of the equipment and the hazards of any utility network.
- Contains a Lithium battery. Fire, explosion and severe burn hazard. Do not recharge, crush, disassemble, heat above 100 °C, incinerate, or expose contents to water.
- **CHOKING HAZARD** – Contains small parts. Keep out of the reach of small children.
- Designed for outdoor use in areas that may become flooded resulting in the equipment becoming soiled. Wear appropriate protective clothing when installing or removing the product from the installation site. Protective clothing is also required when cleaning the equipment.
- Do not disassemble or modify the equipment. Contains a seal to protect against water and moisture ingress. Water ingress may cause damage to equipment, including risk of explosion.

Use and Handling

- The equipment contains sensitive parts that can be damaged by incorrect handling. Do not throw or drop the equipment or subject it to mechanical shock. When transporting in a vehicle, ensure the devices are secured and adequately cushioned, so they cannot fall and so that no damage can occur.
- No user-serviceable parts inside. The equipment must only be serviced or disassembled by the manufacturer or its authorised repair centre.
- The equipment is powered by an internal battery which may present a risk of fire or chemical burn if the equipment is mistreated. Do not disassemble, heat above 100 °C, or incinerate.
- Normal operating temperature: -20°C to +60°C. Do not expose to direct sunlight for prolonged periods. Do not mount on apparatus that can exceed this temperature range. Do not store above 30°C for prolonged periods.
- The antenna must be attached to the unit before use. Align the antenna connector and rotate the outer nut clockwise until it is finger-tip tight. Do not over-tighten.
- To prevent damage, put the logger into deep-sleep (storage) mode before disconnecting the antenna. Refer to the user-guide for instructions.
- When removing a logger from a fitting, grasp the main body of the logger or use the optional lifting hooks. Removal of the logger by grasping the antenna or antenna cable can cause permanent damage and is not covered by warranty.
- Store unused loggers in the original packaging. The equipment can become damaged by applying heavy loads or forces to it.
- The equipment may be cleaned by use of a soft cloth lightly moistened with a mild cleaning fluid (e.g. a diluted domestic dish-washing liquid). A disinfectant solution may be used to sanitise if required (e.g. a diluted domestic disinfectant). For heavy soiling, gently remove debris with a brush (e.g. a domestic dishwashing tool, or similar). Ensure all connection points have a water-tight cover attached during cleaning, to prevent water ingress. When the connectors are not in use, keep the inside of the connectors clean. Do not allow liquid, moisture, or small particles to enter the equipment or connector. Do not pressure-wash as it may damage the equipment.

Radiation Exposure Statement

- This equipment contains a radio transmitter and receiver. Use of antennas and accessories not authorised by HWM may void the compliance of the product and may result in RF exposures beyond the safety limits established for this equipment.

EN

- The equipment should be fixed (mounted) to other equipment during normal operation. When installing and using this product, maintain a 20 cm (or greater) distance between the antenna and the head or body of the user or nearby persons. Attached antenna must not be touched during transmitter operation.

Battery – Caution Points.

- The equipment contains a non-rechargeable Lithium Thionyl Chloride battery. Do not attempt to re-charge the battery.
- In the event of damage to the battery or the equipment, do not handle without appropriate protective clothing.
- Do not attempt to open, crush, heat or set fire to the battery.
- In the event of damage to the battery or equipment, ensure there is no risk of short-circuit whilst handling or shipping. Pack with non-conductive materials that give suitable protection. Refer to sections Waste Electrical and Electronic Equipment and Battery Directive.
- If the battery fluid leaks, stop using the product immediately. If the battery fluid gets onto your clothes, skin, or eyes then rinse the affected area with water and consult a doctor. The fluid can cause injury and blindness.
- Always dispose of batteries in accordance with local laws or requirements.

Battery – Lifetime.

- The battery is single-use (not rechargeable).
- Do not store above 30 °C for prolonged periods, as this will reduce the life of the battery.
- The lifetime of the battery is limited. The equipment is designed to minimise power use from the battery, but this can vary according to the specific tasks it is given, its installation conditions and the operation of any 3rd-party equipment it communicates with. The equipment may re-attempt certain tasks (e.g. communication) if required, which decreases battery life. Ensure the equipment is installed correctly to maximise its battery life.
- Where the equipment has a facility to provide additional power, only batteries and / or parts supplied for the equipment by HWM should be used.

Waste Electrical and Electronic Equipment and the Battery Directive

Disposal and recycling: When the equipment or its batteries reach the end of their useful life, they must be disposed of responsibly, according to any applicable country or municipal regulations. Do not dispose of Waste Electrical and Electronic Equipment or batteries as normal domestic waste; they must be taken by the user to a separate waste collection point designated for safe handling and recycling in accordance with local laws.

Waste Electrical and Electronic Equipment and batteries contain materials that, when correctly processed, may be recovered and recycled. Recycling product reduces the need of new raw materials and also reduces the amount of material that is sent for disposal as landfill. Improper handling and disposal can be harmful to your health and the environment. For more information regarding where the equipment can be accepted for recycling, please contact your local authority, recycling center, distributor or visit the website <http://www.hwmglobal.com/company-documents/>

Waste Electrical and Electronic Equipment.

HWM-Water Ltd is a registered producer of Electrical and Electronic Equipment in the United Kingdom (registration number WEE/AE0049TZ). Our products fall under category 9 (Monitoring and Control Instruments) of The Waste Electrical and Electronic Equipment Regulations. We take all environmental issues seriously and fully comply with the requirements for collection, recycling and reporting of waste products.

HWM-Water Ltd is responsible for Waste Electrical and Electronic Equipment from customers in the United Kingdom provided that:

The equipment was produced by HWM-Water Ltd (Palmer Environmental / Radcom Technologies / Radiotech / ASL Holdings Ltd) and supplied on or after 13th August 2005. or

The equipment was supplied before 13th August 2005 and has been directly replaced by HWM-Water Ltd products manufactured since 13th August 2005.

HWM-Water products supplied after 13th August 2005 can be identified by the following symbol:



Under HWM-Water Ltd.'s Terms and Conditions of Sale, customers are responsible for the cost of returning waste electrical and electronic equipment to HWM-Water Ltd and we are responsible for the costs of recycling and reporting on that waste.

Instructions for returning Waste Electrical and Electronic Equipment:

- (1) Ensure that the Waste Electrical and Electronic Equipment meets one of the two conditions above.
- (2) The waste will need to be returned in accordance with the regulations for transporting equipment with lithium batteries.
 - a. Pack the equipment in strong, rigid outer packaging to protect them from damage.
 - b. Attach a Lithium Warning Label to the package.
 - c. The package must be accompanied by a document (e.g. consignment note) that indicates:
 - i. The package contains lithium metal cells;
 - ii. The package must be handled with care and that a flammability hazard exists if the package is damaged;
 - iii. Special procedures should be followed in the event the package is damaged, to include inspection and repacking if necessary; and
 - iv. A telephone number for additional information.
 - d. Refer to the ADR regulations on shipping dangerous goods by road. Do not transport damaged, defective, or recalled lithium batteries by air.
 - e. Before shipping, the equipment must be shut down. Refer to the User-Guide of the product and any applicable utility software for guidance of how to deactivate it.

- (3) Return the Waste Electrical and Electronic Equipment to HWM-Water Ltd using a licensed waste carrier.

In accordance with the regulations, customers outside the United Kingdom are responsible for Waste Electrical and Electronic Equipment.

The Battery Directive

As a distributor of batteries HWM-Water Ltd will accept old batteries back from customers for disposal, free of charge, in accordance with the Battery Directive.

PLEASE NOTE: All lithium batteries (or equipment containing lithium batteries) MUST be packaged and returned in accordance with the relevant regulations for transporting lithium batteries.

A licensed waste carrier must be used for transporting all waste.

For more information on Waste Electrical and Electronic Equipment compliance or the Battery Directive please e-mail CService@hwm-water.com or phone +44 (0)1633 489 479

Radio Equipment Directive (2014/53/EU):

1. Radio frequencies and Powers.

The frequencies used by the wireless features of this product are in the 700 MHz, 800 MHz, 850 MHz, 900 MHz, 1700 MHz, 1800 MHz, 1900 MHz, 2100 MHz & 2.45 GHz ranges.

Wireless frequency band and maximum output power:

- GSM 700/800/850/900/1700/1800/1900/2100 MHz : less than 2.25W
- Bluetooth-compatible 2.45GHz : less than 1mW.

2. Antennas

Only antennas supplied by HWM should be used with this product.

Regulatory Compliance Statement:

Hereby, HWM-Water Ltd declares that this equipment is in compliance with the following:

Radio Equipment Directive: 2014/53/EU and the relevant UK Statutory Instruments requirements.

A copy of the full text of the UK and EU declarations of conformity is available at the following URL:

www.hwmglobal.com/product-approvals/

FCC Compliance Information:



Fluid Conservation Systems

Fluid Conservation Systems,
502 Techne Center Dr, Suite B,
Milford, OH. 45150
T: 1-800-531-5465

The following product models:

PermaNET SU (SU/L/*/*)

Comply with the rules, as applicable.

FCC compliance statement:

- This device complies with Part 15 of the FCC Rules. Operation is subject to the following two conditions:
 - (1) This device may not cause harmful interference, and
 - (2) This device must accept any interference received, including interference that may cause undesired operation.
- This equipment complies with FCC radiation exposure limits set forth for an uncontrolled environment. End users must follow the specific operating instructions for satisfying RF exposure compliance. This transmitter must not be co-located or operating in conjunction with any other antenna or transmitter.

NOTE: This equipment has been tested and found to comply with the limits for a Class A digital device, pursuant to part 15 of the FCC Rules. These limits are designed to provide reasonable protection against harmful interference when the equipment is operated in a commercial environment. This equipment generates, uses, and can radiate radio frequency energy and, if not installed and used in accordance with the instruction manual, may cause harmful interference to radio communications. Operation of this equipment in a residential area is likely to cause harmful interference in which case the user will be required to correct the interference at his own expense.

Changes or modifications not expressly approved by the party responsible for compliance could void the user's authority to operate the equipment.

Contains: FCC ID : R17ME310G1WW / R17-S42M.

Industry Canada – Compliance Statement:

Under Industry Canada regulations, this radio transmitter may only operate using an antenna of a type and maximum (or lesser) gain approved for the transmitter by Industry Canada.

To reduce potential radio interference to other users, the antenna type and its gain should be so chosen that the equivalent isotropically radiated power (e.i.r.p.) is not more than that necessary for successful communication.

This device complies with Industry Canada licence-exempt RSS standard(s). Operation is subject to the following two conditions: (1) this device may not cause interference, and (2) this device must accept any interference, including interference that may cause undesired operation of the device.

Contains IC: 5131A-ME310G1WW / 5131A-S42M.

CONSIDERACIONES DE SEGURIDAD

ES

- Consulte la "Importante Nota de seguridad" al principio de este documento, en relación con los marcapasos cardíacos.
- ADVERTENCIA: Cuando este equipo se utilice, instale, ajuste o repare, debe ser manipulado por personal debidamente cualificado que esté familiarizado con el equipo, su operación y los peligros de cualquier red de servicios públicos.
- Contiene una batería de litio. Incendio, explosión y peligro de quemaduras graves. No la recargue, aplaste, desarme, caliente a más de 100 ° C, incinere o la exponga al agua.
- PELIGRO DE ASFIXIA: contiene piezas pequeñas. Mantener fuera del alcance de los niños pequeños.
- Diseñado para uso al aire libre en áreas que pueden inundarse y ocasionar que el equipo se ensucie. Use ropa protectora adecuada cuando instale o retire el producto del lugar de instalación. También se requiere ropa de protección al limpiar el equipo.
- No desmonte ni modifique el equipo. Contiene un sello para proteger contra la entrada de agua y humedad. La entrada de agua puede causar daños al equipo, incluido el riesgo de explosión.

Uso y manejo

- El equipo contiene partes sensibles que pueden dañarse por un manejo incorrecto. No tire ni deje caer el equipo ni lo someta a golpes mecánicos. Al transportar en un vehículo, asegúrese de que los dispositivos estén asegurados y adecuadamente amortiguados, para que no puedan caerse y que no se produzcan daños.
- No hay partes internas que puedan ser reparadas por el usuario. El equipo solo debe ser reparado o desmontado por el fabricante o su centro de reparaciones autorizado.
- El equipo se alimenta con una batería interna que puede presentar un riesgo de incendio o quemadura química si se maltrata el equipo. No la desmonte, caliente a más de 100 ° C ni la incinere.
- Temperatura de funcionamiento normal: -20 ° C a + 60 ° C. No exponga a la luz solar directa durante períodos prolongados. No lo monte en aparatos que puedan exceder este rango de temperatura. No almacenar por encima de 30 ° C durante períodos prolongados.
- La antena debe estar conectada a la unidad antes de usarla. Alinee el conector de la antena y gire la tuerca exterior en el sentido de las agujas del reloj hasta que quede apretada con la punta del dedo. No apriete demasiado.
- Para evitar daños, ponga el registrador en modo de almacenamiento antes de desconectar la antena. Consulte el manual para mayor información.
- Cuando retire un registrador de un accesorio, sujete el cuerpo principal del registrador o use los ganchos de elevación opcionales. La extracción del registrador al agarrar la antena o el cable de la antena puede causar daños permanentes y no está cubierta por la garantía.
- Almacene los registradores no utilizados en el embalaje original. El equipo puede dañarse al aplicarle cargas pesadas o fuerzas.
- El equipo se puede limpiar con un paño suave ligeramente humedecido con un líquido limpiador suave (por ejemplo, un líquido de lavado de platos doméstico diluido). Se puede usar una solución desinfectante para desinfectar si es necesario (por ejemplo, un desinfectante doméstico diluido). Para suciedad excesiva, retire los residuos con cuidado con un cepillo (por ejemplo, una herramienta doméstica para lavar platos o similar). Asegúrese de que todos los puntos de conexión tengan una cubierta hermética colocada durante la limpieza, para evitar la entrada de agua. Cuando los conectores no estén en uso, mantenga limpio el interior de los conectores. No permita que entren líquidos, humedad o

partículas pequeñas en el equipo o el conector. No lave a presión, ya que podría dañar el equipo.

Exposición a la radiación

- Este equipo contiene un transmisor y receptor de radio. El uso de antenas y accesorios no autorizados por HWM puede degradar el funcionamiento del producto y puede dar lugar a exposiciones a RF más allá de los límites de seguridad establecidos para este equipo.
- El equipo debe estar fijo (montado) a otro equipo durante el funcionamiento normal. Al instalar y utilizar este producto, mantenga una distancia de 20 cm (o más) entre la antena y la cabeza o cuerpo del usuario o personas cercanas. La antena adjunta no debe tocarse durante el funcionamiento del transmisor.


Batería - Puntos de precaución.

- El equipo contiene una batería de cloruro de litio tiónil no recargable. No intente recargar la batería.
- En caso de daños a la batería o al equipo, no manipular sin la ropa de protección adecuada.
- No intente abrir, aplastar, calentar o prender fuego a la batería.
- En caso de daños a la batería o al equipo, asegúrese de que no haya riesgo de cortocircuito durante la manipulación o el envío. Empaque con materiales no conductores que le confieran una protección adecuada. Consulte las secciones "Residuos de equipos eléctricos y electrónicos y La directiva sobre baterías".
- Si el líquido de la batería presentara fugas, deje de usar el producto inmediatamente. Si el líquido de la batería entra en contacto con la ropa, la piel o los ojos, enjuague con agua el área afectada y consulte a un médico. El líquido puede causar lesiones y ceguera.
- Siempre deseche las baterías de acuerdo con las leyes o los requisitos locales.

Vida de la batería.

- La batería es de un solo uso (no recargable).
- No almacene a temperaturas superiores a 30 ° C durante períodos prolongados, ya que esto reducirá la vida útil de la batería.
- La vida útil de la batería es limitada. El equipo está diseñado para minimizar el uso de energía de la batería, pero esto puede variar según las tareas específicas que se le asignen, las condiciones de instalación y el funcionamiento de cualquier equipo de terceros con el que se comunique. El equipo puede volver a intentar ciertas tareas (por ejemplo, comunicación) si es necesario, lo que disminuye la vida útil de la batería. Asegúrese de que el equipo esté instalado correctamente para maximizar la vida útil de la batería.
- Donde exista la facilidad de alimentar el equipo externamente, solo se deben usar las baterías y / o piezas suministradas para el equipo por HWM.

Residuos de aparatos eléctricos y electrónicos y la directiva de baterías.

 Desecho y reciclaje: cuando el equipo o sus baterías alcancen el final de su vida útil, deben desecharse de manera responsable, de acuerdo con las normativas nacionales o municipales aplicables. No deseche los equipos eléctricos o electrónicos o las baterías como residuos domésticos normales; deben ser llevados por el usuario a un punto limpio de

recolección de desechos designado para su manejo y reciclaje seguros de acuerdo con las leyes locales.

Los desechos de equipos eléctricos y electrónicos y las baterías contienen materiales que, cuando se procesan correctamente, pueden recuperarse y reciclarse. El reciclaje del producto reduce la necesidad de nuevas materias primas y también reduce la cantidad de material que se envía para su eliminación en vertederos. El manejo y la eliminación inadecuados pueden ser perjudiciales para su salud y el medio ambiente. Para obtener más información sobre dónde se puede enviar el equipo para su reciclaje, comuníquese con su autoridad local, centro de reciclaje, distribuidor o visite el sitio web

<http://www.hwmglobal.com/company-documents/>

Residuos de equipos eléctricos y electrónicos.

HWM-Water Ltd es un productor registrado de equipos eléctricos y electrónicos en el Reino Unido (número de registro WEE / AE0049TZ). Nuestros productos están incluidos en la categoría 9 (Instrumentos de monitoreo y control) de la Normativa sobre residuos de aparatos eléctricos y electrónicos. Nos tomamos en serio todos los problemas medioambientales y cumplimos totalmente con los requisitos de recolección, reciclaje y notificación de productos de desecho.

HWM-Water Ltd es responsable del desecho de equipos eléctricos y electrónicos de los clientes en el Reino Unido siempre que:

El equipo fue producido por HWM-Water Ltd (Palmer Environmental / Radcom Technologies / Radiotech / ASL Holdings Ltd) y se suministró el 13 de agosto de 2005 o después de esa fecha.

El equipo se suministró antes del 13 de agosto de 2005 y ha sido reemplazado directamente por los productos de HWM-Water Ltd fabricados desde el 13 de agosto de 2005.

Productos HWM-Water suministrados después del 13 de agosto de 2005. Se puede identificar por el siguiente símbolo:



Según los Términos y condiciones de venta de HWM-Water Ltd., los clientes son responsables del costo de devolución de los Equipos eléctricos y electrónicos de desecho a HWM-Water Ltd. y nosotros somos responsables de los costos de reciclaje e informe de dichos residuos.

Instrucciones para la devolución de residuos de aparatos eléctricos y electrónicos:

- Asegúrese de que el equipo eléctrico y electrónico de desecho cumpla con una de las dos condiciones anteriores.
- Los residuos deberán devolverse de acuerdo con las normas para el transporte de equipos con baterías de litio.
 - Embale el equipo en un embalaje exterior fuerte y rígido para protegerlo de daños.
 - Coloque una etiqueta de advertencia de pila de litio en el paquete.
 - El paquete debe ir acompañado de un documento. (por ejemplo, nota de envío) que indique:
 - El paquete contiene pilas de litio;
 - El paquete debe ser manejado con cuidado y existe peligro de inflamabilidad si el paquete está dañado;
 - Se deben seguir procedimientos especiales en caso de que el paquete este dañado, para incluir inspección y re-embalado si fuera necesario y
 - Un número de teléfono para información adicional.
 - Consulte las normas ADR sobre el envío de mercancías peligrosas por carretera. No transporte baterías de litio dañadas, defectuosas o retiradas a petición del fabricante por medios aéreos.
 - Antes del envío, los equipos deben ser apagados. Consulte la guía de usuario del producto y herramientas de software asociadas para recibir instrucciones acerca de cómo desactivarlos.
- Devuelva los residuos de los equipos eléctricos y electrónicos a HWM-Water Ltd utilizando un transportista de residuos autorizado.

De acuerdo con las regulaciones, los clientes fuera del Reino Unido son responsables de los residuos de equipos eléctricos y electrónicos.

Directiva sobre baterías

Como distribuidor de baterías, HWM-Water Ltd aceptará las baterías viejas de los clientes para su eliminación, sin cargo, de acuerdo con la Directiva sobre baterías.

TENGA EN CUENTA: Todas las baterías de litio (o los equipos que contienen baterías de litio) DEBEN empaquetarse y devolverse de acuerdo con las regulaciones pertinentes para el transporte de baterías de litio.

Se debe utilizar un transportista de residuos autorizado para transportar todos los residuos.

Para obtener más información sobre el cumplimiento de los desechos de Equipos eléctricos y electrónicos o la Directiva sobre baterías, envíe un correo electrónico a CSservice@hwm-water.com o al teléfono +44 (0) 1633 489 479.

Directiva sobre equipos de radio (2014/53/UE):

1. Frecuencias de radio y potencias.

Las frecuencias utilizadas por las funciones inalámbricas de este producto se encuentran en los rangos de 700 MHz, 800 MHz, 850 MHz, 900 MHz, 1700 MHz, 1800 MHz, 1900 MHz, 2100 MHz y 2.45 GHz.

Banda de frecuencia inalámbrica y potencia de salida máxima:

- GSM 700/800/850/900/1700/1800/1900 / 2100 MHz: menos de 2.25W.
- Inalámbrico compatible Bluetooth 2.45 GHz: menos de 1mW.

2. Antenas

Solo las antenas suministradas por HWM deben usarse con este producto.

Declaración de cumplimiento normativo:

Por la presente, HWM-Water Ltd declara que este equipo cumple con lo siguiente:

Directiva sobre equipos de radio: 2014/53 / UE y los requisitos pertinentes de los instrumentos legales del Reino Unido.

Hay disponible una copia completa de las declaraciones de conformidad del Reino Unido y la UE en la siguiente URL:

www.hwmglobal.com/product-approvals/

SÉCURITÉ

FR

- Au sujet des simulateurs cardiaques, se référer à "Note Importante" au début de ce document.
- AVERTISSEMENT : Lorsque cet équipement est utilisé, installé, réglé ou entretenu, cela doit être fait par un personnel qualifié connaissant bien la construction et le fonctionnement de l'équipement et les dangers de tout réseau d'utilité publique.
- Contient des batteries au Lithium. Risque de feu, d'explosion et de brûlure. Ne pas recharger, écraser, désassembler, soumettre à plus de 100°C, incinérer ou exposer à l'eau.
- RISQUE D'ETOUFFEMENT – contient de petites pièces, conserver hors de la portée des enfants.
- Conçu pour une utilisation en extérieur dans des zones susceptibles d'être inondées, ce qui pourrait salir le matériel. Équipez-vous de vêtements de protection lors de l'installation ou de la manipulation des produits sur site.
- Ne pas démonter ou modifier l'équipement. Un joint assure l'étanchéité contre l'infiltration d'eau et de moisissures. Une infiltration d'eau peut endommager l'équipement ainsi que provoquer un risque d'explosion.

Utilisation et manipulation

- L'équipement contient des éléments sensibles qui peuvent être endommagés par une utilisation inappropriée. Ne pas jeter, lâcher ou soumettre l'équipement à des chocs. Lors du transport en véhicule, assurez-vous que l'équipement est sécurisé dans un contenant rembourré sans risque de chute.
- L'équipement ne possède pas de pièce de rechange, et doit être retourné dans un atelier autorisé par le fabricant pour y être entretenu ou réparé.
- L'équipement est alimenté par une pile interne qui, s'il est maltraité, peut présenter un risque de feu ou de brûlure chimique. Ne pas désassembler, exposer à plus de 100°C ou incinérer.
- Température de fonctionnement : -20°C à -60°C. Ne pas exposer de façon prolongée au rayonnement du soleil. Évitez les emplacements qui pourraient excéder ces températures. Évitez un stockage prolongé au-delà de 30°C.
- L'antenne doit être fixée sur l'équipement avant utilisation. Ajuster le connecteur d'antenne et visser dans le sens horaire jusqu'à ce qu'il soit serré (à la main). Ne pas forcer le serrage.
- Pour éviter tout dommage, placez l'enregistreur en mode veille profonde (stockage) avant de déconnecter l'antenne. Reportez-vous au guide de l'utilisateur pour les instructions.
- Lors de la relève de l'enregistreur, saisissez le corps de l'équipement ou utilisez les élingues adéquates. Une manipulation par l'antenne peut occasionner des dommages qui ne sont pas couverts par la garantie.
- Conservez les appareils non utilisés dans leur emballage d'origine. L'équipement peut être endommagé s'il est soumis à un poids ou une force excessive.
- L'équipement peut-être nettoyer à l'aide d'un chiffon légèrement humidifié par un détergeant doux (ex : un liquide vaisselle dilué). Un désinfectant sanitaire peut-être utilisé si nécessaire (ex : un désinfectant domestique dilué). Pour les matières solides, ou plus difficile à enlever, utiliser une brosse (ex : une brosse à vaisselle). Assurez-vous que tous les connecteurs sont serrés avant le nettoyage, pour éviter l'infiltration d'eau. Lorsque les équipements ne sont pas utilisés, assurez-vous que les connecteurs sont secs et ne contiennent aucune saleté, maintenir à l'écart des liquides et de l'humidité. Ne pas utiliser de lavage sous pression car cela peut endommager les équipements.

Exposition aux radiations



- Cet équipement contient un transmetteur radio. L'utilisation d'antennes et d'accessoires non autorisés par HWM peut annuler la conformité du produit et entraîner des expositions aux RF allant au-delà des limites de sécurité établies pour cet équipement.



- L'équipement doit être fixé (monté) sur un autre équipement pendant le fonctionnement normal. Lors de l'installation et de l'utilisation de ce produit, maintenez une distance de 20 cm (ou plus) entre l'antenne et la tête ou le corps de l'utilisateur ou des personnes proches. L'antenne fixée ne doit pas être touchée pendant le fonctionnement de l'émetteur.

Piles – précautions.

- L'équipement contient une pile non-rechargeable de chlorure de thionyle et de lithium. N'essayez pas de recharger la pile.
- En cas de dommage à la pile ou à l'équipement, ne le manipulez pas sans un vêtement de protection approprié.
- N'essayez pas d'ouvrir, d'écraser, de chauffer ou de mettre le feu à la pile.
- En cas de dommage à la pile ou à l'équipement, assurez-vous qu'il n'y a pas de risque de court-circuit lors de la manipulation ou de l'expédition.
- Emballez avec des matériaux non conducteurs offrant une protection appropriée. Reportez-vous aux sections "Déchets d'équipements électriques et électroniques" et "Directive sur les piles".
- Si le liquide de la pile fuit, arrêtez immédiatement d'utiliser le produit. Si le liquide de la pile entre en contact avec vos vêtements, votre peau ou vos yeux, rincez la zone touchée avec de l'eau et consultez un médecin. Le liquide peut causer des blessures et la cécité.
- Éliminez toujours les piles conformément aux lois ou aux exigences locales.

Pile – durée de vie.

- La pile est à usage unique (non rechargeable).
- Ne stockez pas au-dessus de 30 ° C pendant des périodes prolongées, cela réduirait la durée de vie de la pile.
- La durée de vie de la pile est limitée. L'équipement est conçu pour minimiser la consommation d'énergie de la pile, mais cela peut varier en fonction des tâches spécifiques qui lui sont assignées, de ses conditions d'installation et du fonctionnement de tout équipement tiers avec lequel il communique. L'équipement peut tenter à nouveau certaines tâches (par exemple, la communication) si nécessaire, ce qui diminue la durée de vie de la pile. Assurez-vous que l'équipement est correctement installé pour optimiser la durée de vie de la pile.
- Lorsque l'équipement dispose d'une capacité à fournir une alimentation supplémentaire, seules les piles et / ou les pièces fournies pour l'équipement par HWM doivent être utilisées.

Déchets d'équipements électriques et électroniques et la directive relative aux piles



Mise au rebut et recyclage : lorsque l'équipement ou ses batteries atteignent la fin de leur vie utile, ils doivent être éliminés de manière responsable, conformément à la réglementation nationale ou municipale applicable. Ne jetez pas les déchets d'équipements électriques et électroniques ni les piles avec les déchets ménagers ordinaires ; ils doivent être apportés

par l'utilisateur à un point de collecte des déchets séparé, désigné pour une manipulation et un recyclage en toute sécurité, conformément à la législation locale.

Les déchets d'équipements électriques et électroniques et les batteries contiennent des matériaux qui, lorsqu'ils sont correctement traités, peuvent être récupérés et recyclés. Le recyclage des produits réduit le besoin de nouvelles matières premières et la quantité de matières à mettre en décharge. Une manipulation et une élimination inappropriées peuvent nuire à votre santé et à l'environnement. Pour plus d'informations sur les emplacements où l'équipement peut être accepté pour le recyclage, veuillez contacter votre autorité locale, votre centre de recyclage, votre distributeur ou visiter le site Web <http://www.hwmglobal.com/company-documents/>

Déchets d'équipements électriques et électroniques.

HWM-Water Ltd est un producteur de matériel électrique et électronique enregistré au Royaume-Uni (numéro d'enregistrement WEE / AE0049TZ). Nos produits relèvent de la catégorie 9 (Instruments de surveillance et de contrôle) du Règlement sur les déchets d'équipements électriques et électroniques. Nous prenons au sérieux toutes les questions environnementales et nous nous conformons pleinement aux exigences en matière de collecte, de recyclage et de déclaration des déchets.

HWM-Water Ltd est responsable des déchets d'équipements électriques et électroniques de clients au Royaume-Uni à condition que :

Le matériel a été fabriqué par HWM-Water Ltd (Palmer Environmental / Radcom Technologies / Radiotech / ASL Holdings Ltd) et fourni à compter du 13 août 2005.

Le matériel a été fourni avant le 13 août 2005 et a été directement remplacé par les produits HWM-Water Ltd fabriqués depuis le 13 août 2005.

Les produits HWM-Water fournis après le 13 août 2005 peuvent être identifiés par le symbole suivant :



Selon les conditions générales de vente de HWM-Water Ltd., les clients sont responsables du coût du renvoi des déchets d'équipements électriques et électroniques à HWM-Water Ltd et nous sommes responsables des coûts de recyclage et de reporting de ces déchets.

Instructions pour le retour des déchets d'équipements électriques et électroniques :

- Assurez-Vous que les déchets d'équipements électriques et électroniques remplissent l'une des deux conditions ci-dessus.
- Les déchets devront être renvoyés conformément à la réglementation en vigueur pour le transport d'équipements avec des batteries au lithium.
 - Emballez le matériel dans un emballage extérieur solide et rigide pour le protéger des dommages.
 - Fixez une étiquette d'avertissement sur le lithium sur l'emballage.
 - Le colis doit être accompagné d'un document (par exemple, lettre de voiture) qui indique :
 - Le paquet contient des piles au lithium métal ;
 - Le colis doit être manipulé avec soin et qu'un il existe un risque d'inflammabilité si l'emballage est endommagé ;
 - Des procédures spéciales doivent être suivies dans le cas où le l'emballage est endommagé, y compris l'inspection et le remballage si nécessaire ; et
 - Un numéro de téléphone pour plus d'informations.
 - Reportez-vous aux réglementations ADR relatives à l'expédition de marchandises dangereuses par route. Ne transportez pas de piles au lithium endommagées, défectueuses ou rappelées, par voie aérienne.
 - Avant l'expédition, l'équipement doit être éteint. Reportez-vous au guide de l'utilisateur du produit et à tout logiciel utilitaire applicable pour savoir comment le désactiver.

- Rapporter les déchets d'équipements électriques et électroniques à HWM-Water Ltd à l'aide d'un transporteur de déchets agréé.

Conformément à la réglementation, les clients résidant hors du Royaume-Uni sont responsables des déchets d'équipements électriques et électroniques.

La directive piles

En tant que distributeur de piles, HWM-Water Ltd acceptera les piles usagées en vue de leur élimination gratuite conformément à la directive relative aux piles.

VEUILLEZ NOTER: Toutes les piles au lithium (ou tout équipement contenant des piles au lithium) DOIVENT être emballées et retournées conformément à la réglementation en vigueur pour le transport des piles au lithium.

Un transporteur de déchets agréé doit être utilisé pour transporter tous les déchets.

Pour plus d'informations sur la conformité des déchets d'équipements électriques et électroniques ou sur la directive relative aux piles, veuillez envoyer un courrier électronique à CService@hwm-water.com ou téléphoner au +44 (0) 1633 489 479.

Directive sur les équipements radio (2014/53 / EU) :

1. Fréquences radio et puissances.

Les fréquences utilisées par les fonctions sans fil de ce produit sont les suivantes : 700 MHz, 800 MHz, 850 MHz, 900 MHz, 1700 MHz, 1800 MHz, 1900 MHz, 2100 MHz et 2,45 GHz.

Bande de fréquence sans fil et puissance de sortie maximale :

- GSM 700/800/850/900/1700/1800/1900/2100 MHz : moins de 2,25W
- Sans fil compatible Bluetooth 2,45 GHz : moins de 1 mW.

2. Antennes

Seules les antennes fournies par HWM doivent être utilisées avec ce produit.

Déclaration de conformité réglementaire :

Par la présente, HWM-Water Ltd déclare que cet équipement est conforme à ce qui suit :

Directive sur les équipements radio : 2014/53/EU et les exigences des instruments statutaires britanniques.

Une copie du texte intégral des déclarations de conformité du Royaume-Uni et de l'UE est disponible à l'adresse URL suivante :

www.hwmglobal.com/product-approvals/

Déclaration de conformité d'Industrie Canada :

Conformément à la réglementation d'Industrie Canada, le présent émetteur radio peut fonctionner avec une antenne d'un type et d'un gain maximal (ou inférieur) approuvé pour l'émetteur par Industrie Canada.

Dans le but de réduire les risques de brouillage radioélectrique à l'intention des autres utilisateurs, il faut choisir le type d'antenne et son gain de sorte que la puissance isotrope rayonnée équivalente (p.i.r.e.) ne dépasse pas l'intensité nécessaire à l'établissement d'une communication satisfaisante.

Le présent appareil est conforme aux CNR d'Industrie Canada applicables aux appareils radio exempts de licence. L'exploitation est autorisée aux deux conditions suivantes : (1) l'appareil ne doit pas produire de brouillage, et (2) l'utilisateur de l'appareil doit accepter tout brouillage radioélectrique subi, même si le brouillage est susceptible d'en compromettre le fonctionnement.

Contient IC: 5131A-ME310G1WW / 5131A-S42M.



HWM-Water Ltd
Ty Coch House
Llantarnam Park Way
Cwmbran
NP44 3AW
United Kingdom
+44 (0)1633 489479
www.hwmglobal.com

©HWM-Water Limited. This document is the property of HWM-Water Ltd. and must not be copied or disclosed to a third party without the permission of the company. Copyright reserved.

Part-Number: PAC0001 Issue B