

SpillSens

ATEX-certified Digital Float Sensor

SpillSens is a low-cost, multi-alarm digital float sensor designed to act as an early warning system for blockages and sewer overflows.

ATEX-approved and built to withstand harsh sewer environments, SpillSens uses digital positioning technology to monitor rising levels in the waste water network. Connected to an advanced data logger with integral telemetry, alert messages are transmitted to a dedicated user portal.

SpillSens is a simple to install, robust and cost-effective solution for long-term level monitoring in waste water networks.



Applications

When installed at a critical height in the chamber, SpillSens uses digital positioning technology to determine whether it is hanging vertically in mid-air or floating in wastewater. As network levels alter, the tilt angle of the sensor is continuously monitored and if the tilt angle enters a pre-set range alert messages are transmitted to the bespoke SpillGuard portal.

Programmed with three alert levels, SpillSens is ideal for Incident Prevention Monitoring and supporting compliance with Outcome Delivery Incentives.

Key Features

- **Three levels of alert:** green, amber and red; based on the angle of the sensor:
 - Green - vertical orientation, network operating as expected
 - Amber - movement in orientation, high alert triggered
 - Red - sensor movement $>110^\circ$, high/high alert triggered
- **Intrinsically safe:** certified for use in Zone 0 hazardous areas (visit HWM Global website for certification details).
- **No moving components:** designed to have no moving parts, unlike traditional steel ball and micro-switch state sensors.
- **Robust design:** durable materials not adversely affected by long-term exposure to waste water environments.
- **Cable length options:** available with 0.5m, 1m, 2m or 3m cable lengths.
- **Compatibility:** works in conjunction with IS Log and various other HWM Global data loggers.
- **Online data viewing:** via SpillGuard; providing Map View and a variety of valuable features.

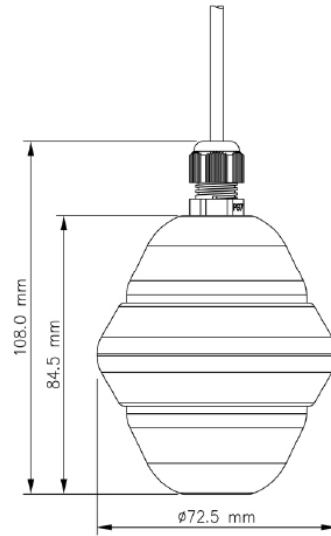


SpillSens

ATEX-certified Digital Float Sensor

Specifications

Operating Temp:	-20 to +60°C (-5 to +140°F).
Dimensions:	108H x 72.5D (mm) – 4.3” x 2.9”
Weight:	130g (without cable)
Battery:	Powered by connected data logger
Cables:	0.5m, 1m, 2m, or 3m lengths available



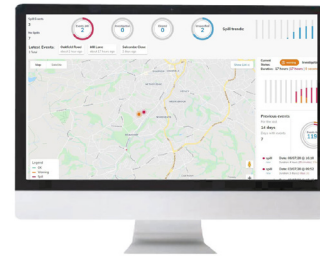
SpillGuard

Online Data Viewing Portal

SpillGuard is the dedicated online portal for the monitoring and fleet management of HWM Global’s unique multi-level alert system.

Using Google Maps, SpillGuard provides a detailed map interface which colour codes the status of each individual installation. The three alert levels (green, amber and red) can be supplemented with user-assigned statuses, such as “site under investigation” or “alert cleared”.

SpillGuard can display general site statistics and trends, as well as specific site details. Individual users and reports are managed using an advanced platform which includes the option to forward alarm messages via e-mail or SMS.



IS Log

ATEX Certified Data Logger

SpillSens is typically deployed with ISLog for single applications but is compatible with numerous HWM Global loggers for multi-channel applications. The sensor is powered by the logger.

With thousands of units installed in sewer and gas networks worldwide, ISLog is trusted to deliver dependable data through advanced cellular telemetry.

ISLog is IP68 rated, has a typical five-year battery life and is programmed via our easy-to-use installation app.

